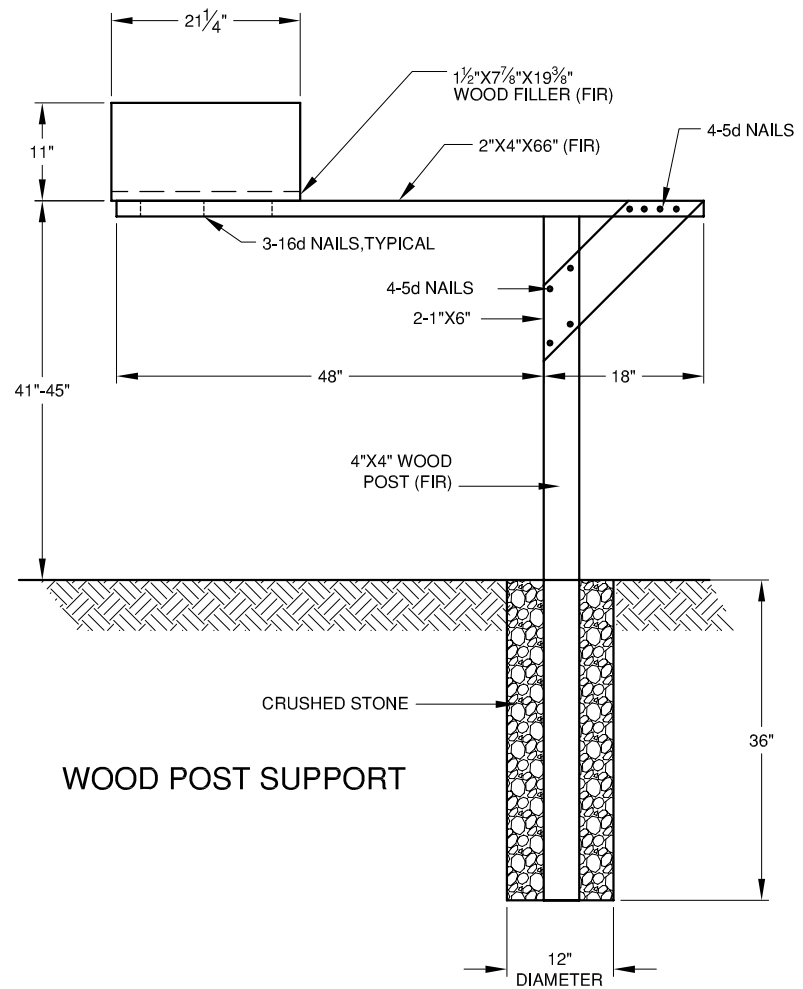
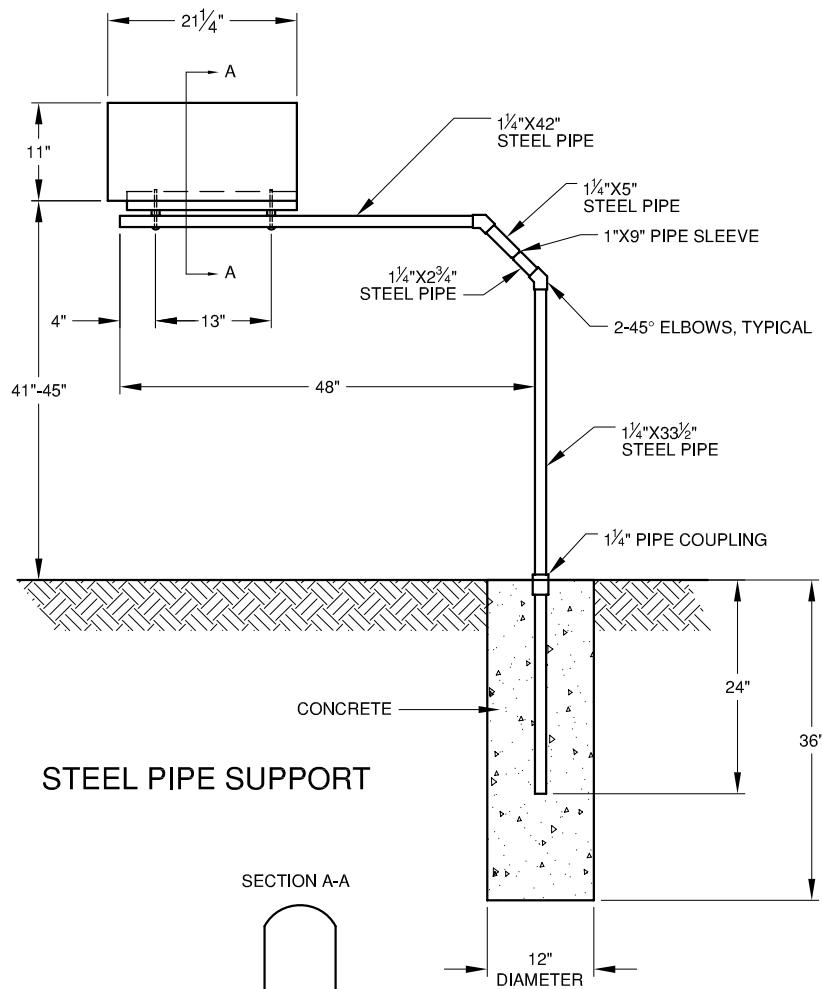


WASHINGTON COUNTY SUGGESTED MAILBOX SUPPORTS



SECTION A-A

